

NEBULA

ANDROID BOX



Commercial Grade



All-in-One



Highly-expandible

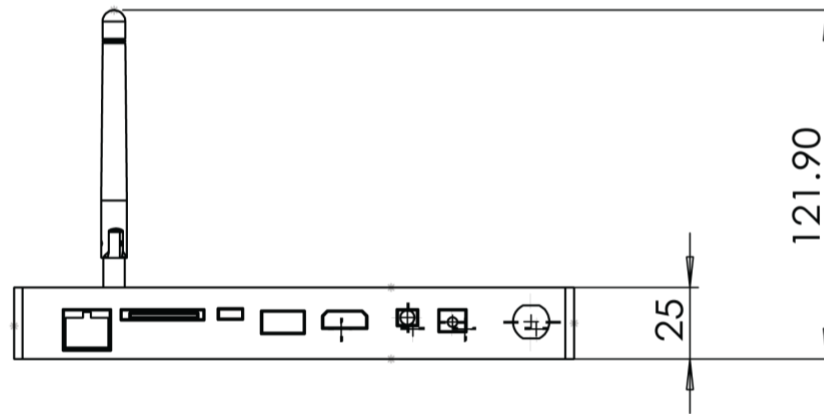
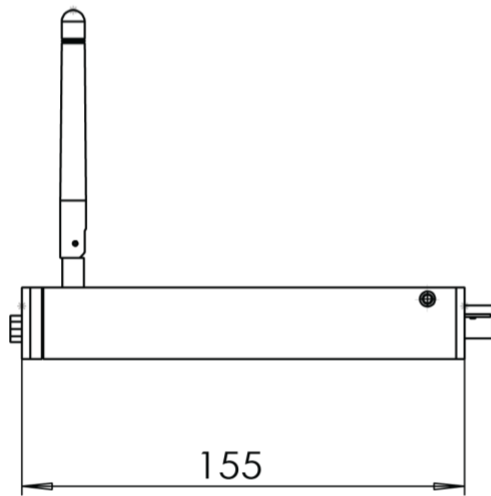
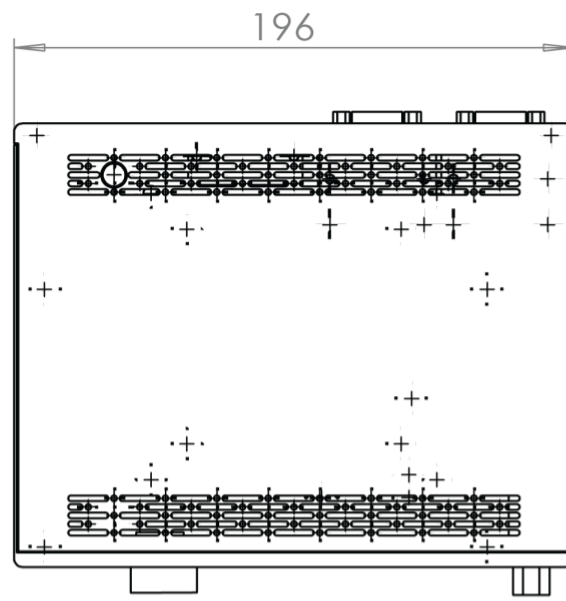
Product overview

The Nebula Box is an Android engine that is capable of running audio and video contents, interactive HTML websites and Android based apps. Users can easily scale Nebula Box to many sizes and form factors. It is equipped with numerous RS232 supporting peripheral for scanning, payment, printing and biometric input.

NEBULA Android BOX specification

*see dimensional drawings for details

Model		GSA005
Connectivity	I/O	RJ45, SD card Micro ,USB (USB OTG), USB, HDMI, Audio out (Φ3.5mm x1), Recover, DCIN RS232 x 2, Antenna WIFI
General information	Color	Black
	Case material	Metal
Processor	CPU	RK 3288, 4 core, 1.8GHz
Hardware	ROM	EMMC 8GB
	RAM	DDR3 2GB
	Wifi	802.11b/g/n
	Bluetooth	BT4.0
OS	Operation system	Android 7.1
Video / image / audio	Audio	AAC, AMR, FLAC, M4A, M4R, MP2, MP3, OGG, WAV, WMA, etc.
	Video	MOV,FLV, MP4, MKV, MPG, MPEG, etc.
	HTML	Available for HTML4
	Image	JPG, BMP, PNG, GIF, etc.
Power adaptor	Power input	DC 12V 2A
	Power input	AC 100-240V, 50/60Hz
	Included in Box	Power Adaptor, Power cable
	Consumption	5W
Dimension	Size (W x D x H)	196 x 155 x 25mm
	Product Weight	1.3kg
	Gift Box Size	336 x 227 x 84mm
	Master Carton size	478 x 351 x 285mm
	Master Carton Weight	8.7kg
	Units per Master Carton	6



To find out more about our extensive range of Glorystar solutions, go to www.glorystargroup.com, or call the office nearest you. For more information, please contact us at sales@glorystargroup.com. Glorystar reserves the right to change or update, without notice, any information contained herein; to change, without notice, the design, construction, materials, processing or specifications of any products; and to discontinue or limit production or distribution of any products. Glorystar, the Glorystar logo, STAR CONTROL and STAROS are either trademarks or registered trademarks of Glorystar Group Limited. All other trademarks are the property of their respective owners.